

Technical sheet :

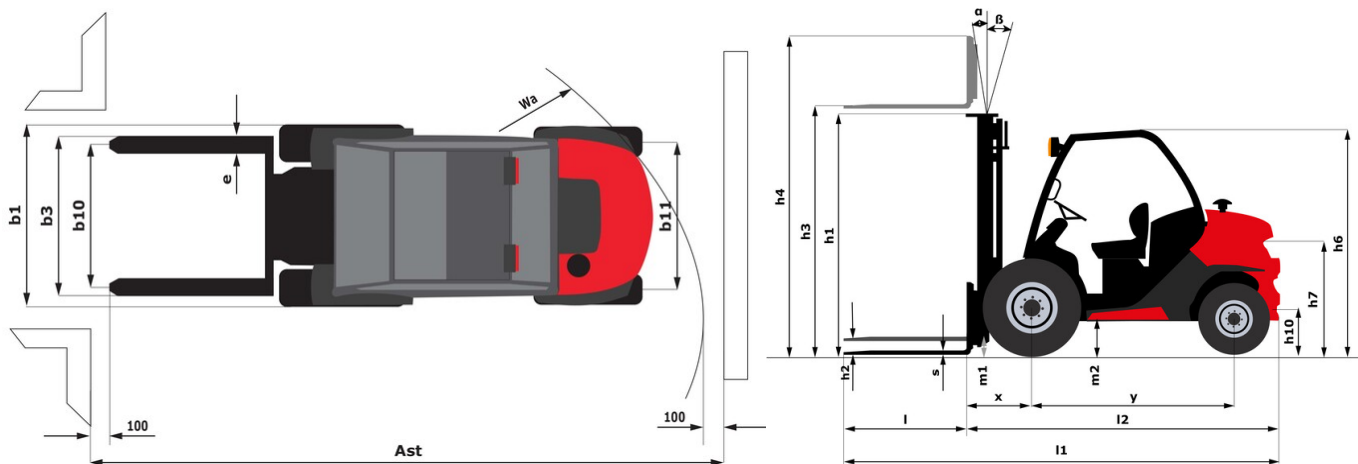
MC 18-4 ST5



 **MANITOU**
HANDLING YOUR WORLD

Technical characteristics			Metric	Imperial
1.1	Manufacturer		Manitou	Manitou
1.2	Model Name		MC 18-4 ST5	MC 18-4 ST5
1.3	Power source		Diesel	Diesel
1.4	Operator type		Sitting	Sitting
1.5	Max. capacity	Q	1800 kg	3968 lb
1.6	Load center of gravity	c	500 mm	20 in
1.8	Load distance, centre of drive axle to fork	x	616 mm	24 in
1.9	Wheelbase	y	1900 mm	75 in
Weight				
2.1	Service weight		3590 kg	7915 lb
2.2	Weight on front axle (laden) / rear axle (laden)		4670 kg / 720 kg	10296 lb / 1587 lb
2.3	Weight on front axle (Unladen) / rear axle (Unladen)		1660 kg / 1930 kg	3660 lb / 4255 lb
Wheels				
3.1	Tyres type		Pneumatic	Pneumatic
3.2	Dimensions of front wheels		12,5/80-18/12 SL R4	12,5/80-18/12 SL R4
3.3	Dimensions of rear wheels		27x10-12 SKS	27x10-12 SKS
3.5	Number of front wheels / rear wheels		2 / 2	2 / 2
3.5.2	Number of drive wheels		4	4
3.6	Front wheel gauge	b10	1159 mm	46 in
3.7	Rear wheel gauge	b11	1176 mm	46 in
Dimensions				
4.7	Height of overhead guard (cabin) / Overall height of low overhead guard (Buggie version)	h6 / h6*	2155 mm / 1990 mm	85 in / 78 in
4.8	Seat height/stand height	h7	1094 mm	43 in
4.19	Overall length	l1	4100 mm	161 in
4.20	Length to face of forks	l2	2950 mm	116 in
4.21	Overall width	b1	1450 mm	57 in
4.22	Forks section x width x length	s / e / l	35 mm x 100 mm / 1150 mm	1 in x 4 in / 45 in
4.23	Fork carriage ISO 2328 (class/form) A/B		2A	2A
4.24	Fork carriage width	b3	1260 mm	50 in
4.31	Ground clearance below mast	m1	300 mm	12 in
4.32	Ground clearance at centre of wheelbase	m2	310 mm	12 in
4.35	Turning radius	Wa	3370 mm	133 in
Performances				
5.1	Travel speed (laden / unladen)		12 km/h / 23.50 km/h	7 mi/h / 15 mi/h
5.2	Lifting speed (laden / unladen)		0.44 m/s / 0.44 m/s	1 ft/s / 1 ft/s
5.3	Lowering speed (laden / unladen)		0.40 m/s / 0.40 m/s	1 ft/s / 1 ft/s
5.5	Drawbar pull (Laden)		1800 daN	1800 daN
5.7	Gradeability (laden)		35 %	35 %
5.10	Service brake		Hydraulic brakes by loss of pressure	Hydraulic brakes by loss of pressure
Engine				
7.1	Engine brand / model / nom		Kubota / D1803 CR E5B / Stage V	Kubota / D1803 CR E5B / Stage V
7.2	Engine power according to ISO 1585		27 kW	27 kW
7.3	Rated speed		2700 rpm	2700 rpm
7.4	Number of cylinders / Capacity of cylinders		3 - 1826 cm³	3 - 111 in³
Miscellaneous				
8.1	Type of drive control		Electronic	Electronic
8.2	Working hydraulic pressure for attachments		160 bar	2321 PSI
8.3	Oil flow rate for attachments		31 l/min	8 US gpm

MC 18-4 ST5 - Dimensional drawing



Characteristics of masts and residual capacities

Full Visibility Duplex (FVD)	FVD 33	FVD 37	FVD 40	FVD 45	
Mast/fork carriage tilt, forward	°	12	12	12	12
Mast/fork carriage tilt, backward	°	10	10	10	10
h1 - Mast lowered height	mm	2348	2608	2798	3048
h2 - Mast free lift	mm	85	85	85	85
h3 - Mast lifting height	mm	3300	3700	4000	4500
h4 - Mast extended height	mm	4018	4428	4768	5268
Residual capacity at max height	kg	1800	1800		1100
Residual capacity with hooked-on side shift (Industrial load chart)	kg	1800	1800		1100
Height at max capacity	mm	3300	3700		3600
Height at max capacity with hooked-on sideshift	mm	3300	3700		3600

Free Lift Triplex (FLT)	FLT 37	FLT 43	FLT 47	FLT 55	
Mast/fork carriage tilt, forward	°	12	12	12	6
Mast/fork carriage tilt, backward	°	10	10	10	6
h1 - Mast lowered height	mm	1998	2198	2348	2608
h2 - Mast free lift	mm	1305	1505	1655	1915
h3 - Mast lifting height	mm	3700	4300	4700	5500
h4 - Mast extended height	mm	4453	5053	5453	6253
Residual capacity at max height	kg	1600	1000	600	
Residual capacity with hooked-on side shift (Industrial load chart)	kg	1550	1000	600	
Height at max capacity	mm	3400	3400	3400	
Height at max capacity with hooked-on sideshift	mm	3300	3400	3400	

Full Visibility Triplex (FVT)	FVT 33	
Mast/fork carriage tilt, forward	°	12
Mast/fork carriage tilt, backward	°	10
h1 - Mast lowered height	mm	1888
h2 - Mast free lift	mm	135
h3 - Mast lifting height	mm	3300
h4 - Mast extended height	mm	4048
Residual capacity at max height	kg	1800
Residual capacity with hooked-on side shift (Industrial load chart)	kg	1800
Height at max capacity	mm	3300
Height at max capacity with hooked-on sideshift	mm	3300



Head Office

B.P. 249 - 430 rue de l'Aubinière

44150 Ancenis Cedex - France

Tel: +33 (0)2 40 09 10 11 - Fax: +33 (0)2 40 09 10 97

www.manitou.com



This publication provides a description of the configuration versions and options for Manitou products, which may differ for equipment. The equipment presented in this brochure may be part of a series, as an option, or it may not be available, depending on the versions. Manitou reserves the right, at any time and without notice, to amend the specifications described and represented. The specifications provided do not bind the manufacturer. For more details, please contact your Manitou agent. This is not a contractually binding document. The presentation of the products is not contractually binding. List of specifications non-exhaustive. The logos as well as the visual identity of the company are owned by Manitou and cannot be used without authorisation. All rights reserved. The photos and diagrams contained in this brochure are only provided for consultation and information purposes.

MANITOU BF SA - Limited company with board of directors - Share capital: 39,668,399 euros - 857 802 508 RCS Nantes